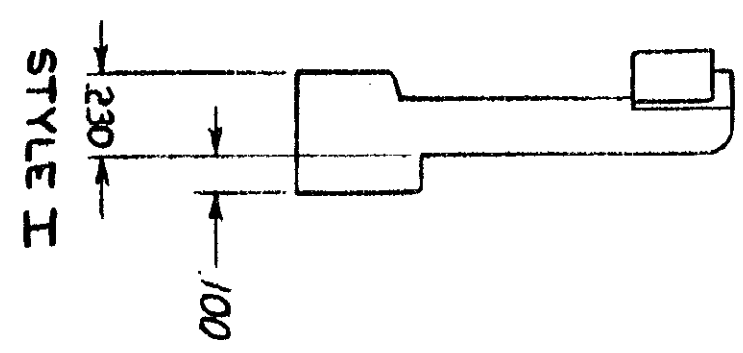
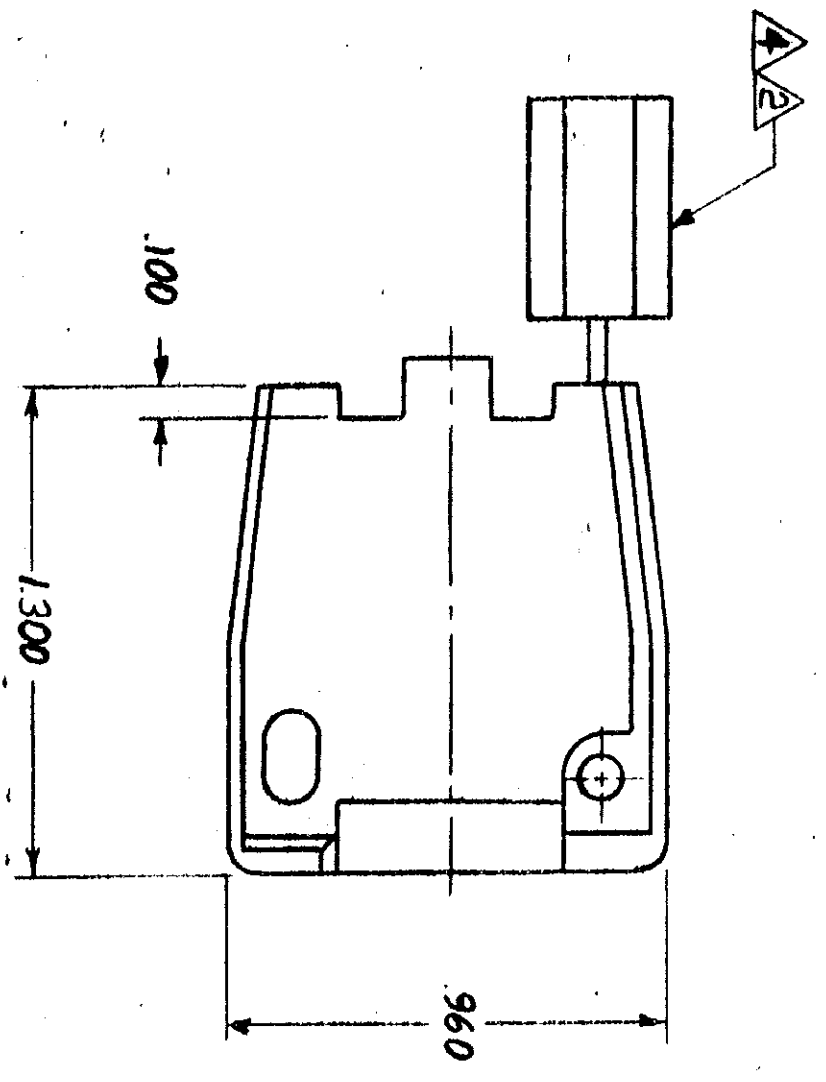
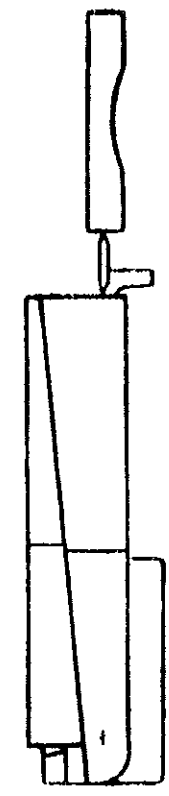


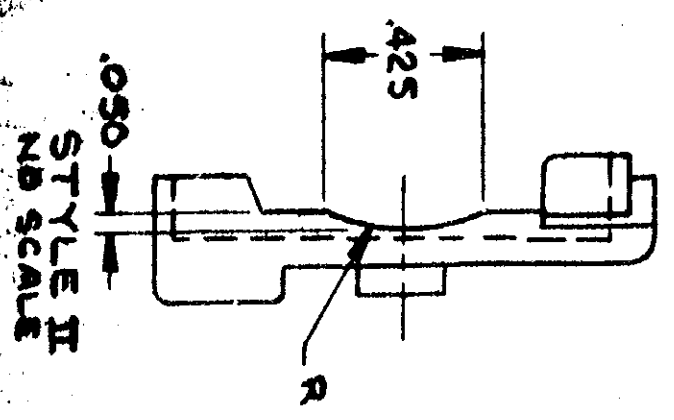
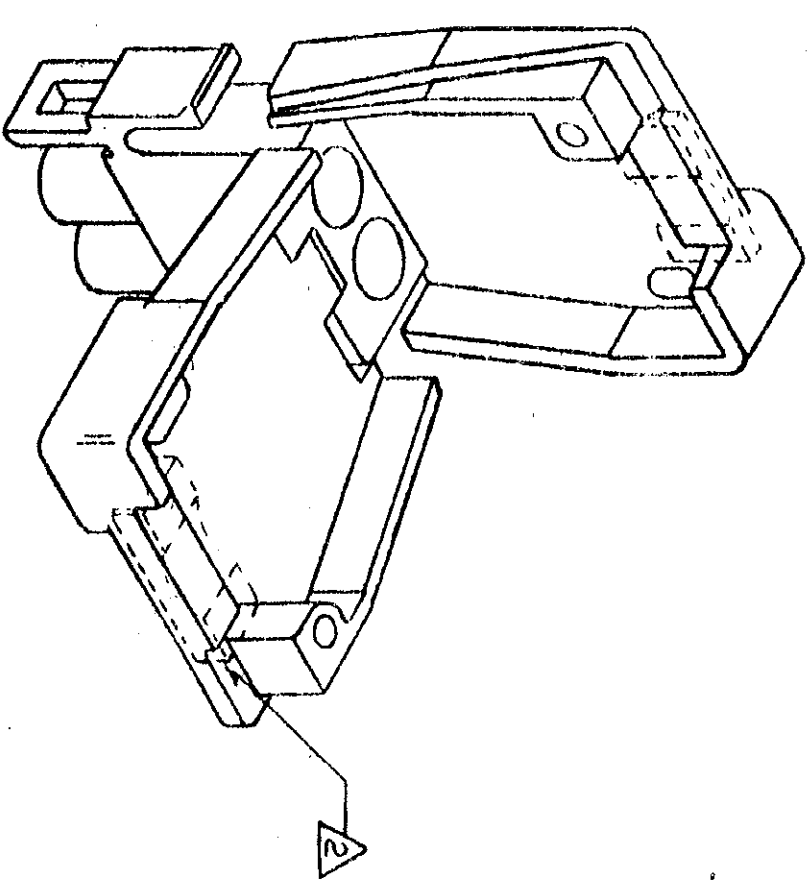
DRAWING MADE IN THIRD ANGLE PROJECTION

© COPYRIGHT 19 78 BY AMP INCORPORATED, HARRISBURG, PA. ALL INTERNATIONAL RIGHTS RESERVED. AMP INCORPORATED PRODUCTS COVERED BY U. S. AND FOREIGN PATENTS AND/OR PATENTS PENDING.



- ▲ SHEET METAL SCREWS NOT SUPPLIED.
- ▲ INSERT IS ATTACHED TO STRAIN RELIEF AS AN ADDITIONAL ADJUSTMENT FOR SMALL WIRE BUNDLES IT SHOULD BE CUT OFF AND POSITIONED AS SHOWN BY DOTTED LINES.
- ▲ TWO REQUIRED PER CONNECTOR.
- ▲ STYLE II DOES NOT INCLUDE INSERT.
- 5. DETACHABLE INSERT MAY SEPARATE FROM STRAIN RELIEF BODY DURING SHIPPING.

(2 REQ'D) #6 x .375 LG TYPE "8" PAN HEAD SHEET METAL SCREW ▲



STYLE II
NIB SCALE

P/F	ZONE	LTR	DESCRIPTION	DATE	APPROVED
✓	0		DRWG RELEASED PER M-5037	10-25-78	CE/AB
✓	A		REVISED SCREW LENGTH M-5352	6-7-79	MSE/ew
✓	B		ADDED -11 PER TTI 03-133	11-28-83	KW/SS
✓	B1		RESTORATION	6-24-85	SS/AB
✓	C		REV PER ECN CM 705	12/2/86	TS/RS

WIRE BUNDLE	
WITHOUT INSERT	MAX 2 @ .190 DIA
WITH INSERT	MIN 2 @ .040 DIA

UNLESS OTHERWISE SPECIFIED DIMENSIONS ARE IN INCHES. TOLERANCES ON: DECIMALS ± .015 ANGLES

MATERIAL SEE TABLE

FINISH SEE TABLE

CONTRACT NO	
DR	CERISMANU 10-25-78
CHK	J. Wade 11/1/78
APPD	J. Wade 11-1-78
APPD	J. Wade 11-1-78
DSGN APPD	
OTHER APPD	

NAME	STYLE	COLOR	MATERIAL	PART NO
II	NATURAL		NYLON 94V-2	1-640719-1
I	NATURAL		NYLON 94V-2	1-640719-0



AMP INCORPORATED Harrisburg, Pa.

STRAIN RELIEF AND INSERT,

2 CIRCUIT, UNIVERSAL MATE-N-LOK™

SIZE	CODE	IDENT NO	DRAWING NO
C	00779		640719
SCALE	NTS	SHEET	1 OF 1

CUSTOMER DRAWING

AMP 1471-6 (7-78)

-11 WAS CP83-31590-1

3

2

1

CM 53

640719

640719